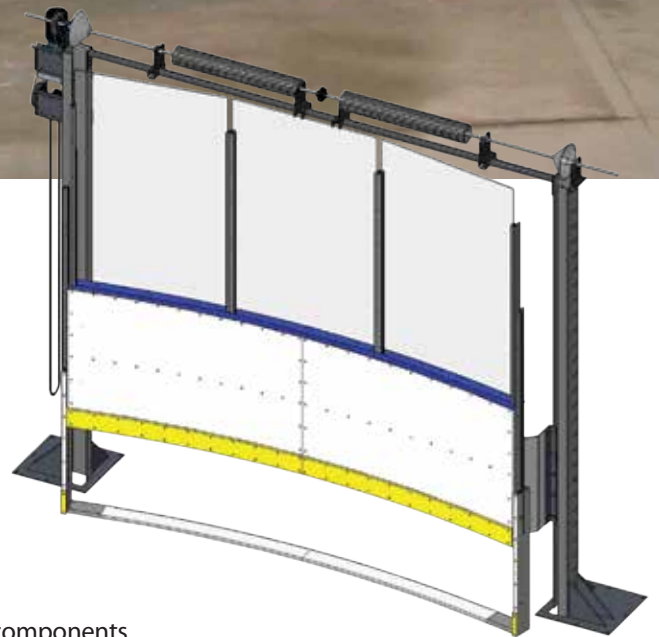


# SPORTSTER VERTICAL LIFT GATE

Convenience with  
maximum safety

## Vertical Lift Gate



### Precision and safety

Made entirely of stainless steel components so it will never rust or need painting, the Vertical Lift Gate is a "one-time purchase" designed with every conceivable safety feature built in. Engineered in 3D CAD to allow the smooth operation of moving parts, thereby reducing wear to prevent mechanical failure. Moving parts are concealed within the support towers and replaceable without cutting or welding. All the manufacturing, mounting and electrical, is done in our plant and each unit is shipped "installation ready".

### Key features:

- Stainless steel construction
- Commercial grade motor
- All parts are CNC laser cut
- Push button to fully open and close
- Keyed 'lockout' feature to prevent unauthorized use
- Infrared safety beam



**Athletica**  
SPORT SYSTEMS

Safety through innovation



720 Innovation Drive, Shakopee, MN USA 55379  
(763) 249.7465 | Toll Free (800) 809.7465

554 Parkside Drive, Waterloo, ON Canada N2L 5Z4  
(519) 747.1856 | Toll Free (877) 778.5911

[athletica.com](http://athletica.com)

BORDER PATROL

CRYSTAPLEX

GAMEPLEX

INFINITY Series™

PRO Series™