



DIGITALIZE YOUR BOARDS

**CRYSTAPLEX® LIVELED  
SYSTEM IS LIGHTING THE  
WAY FORWARD WITH  
A GROUND-BREAKING  
TECHNOLOGY THAT ALLOWS  
YOU TO DIGITIZE THE  
DASHER BOARDS.**



Our LiveLED system is installed inside the dasher board section and is supported by local or cloud-based content management software. This exciting new technology enhances fan experience by providing game day presentation and goal scoring celebrations right at Ice Level complimenting the LED Ribbons and Media Cubes throughout the facility.

The full perimeter capable system also allows for increased sponsorship revenue as the static dasher adverts are replaced in real time providing direct impressions and full arena branding capability.

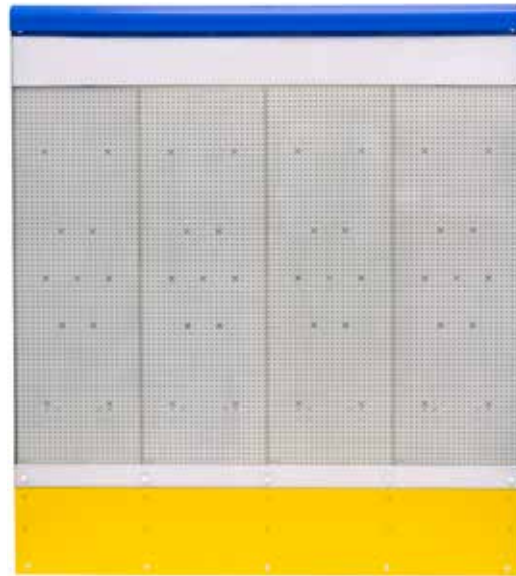
Crystaplex® LiveLED system is available in multiple sections. From a single board panel to an entire arena for a full 360 degree experience. Both new builds and factory retrofit options available.



## DISPLAY UNIT

The Display Unit consists of RinkScreen LED panels. The continuous Display Unit matrix is formed by placing RinkScreen LED panels side by side. Each LED panel is controlled by separate signaling from the individual driver.

The physical dimensions of the Display Unit are: 30 in. height; P10 resolution is 96 x 72 px. For a 525 ft. circumference rink, the full resolution would be 15 k x 72 px.



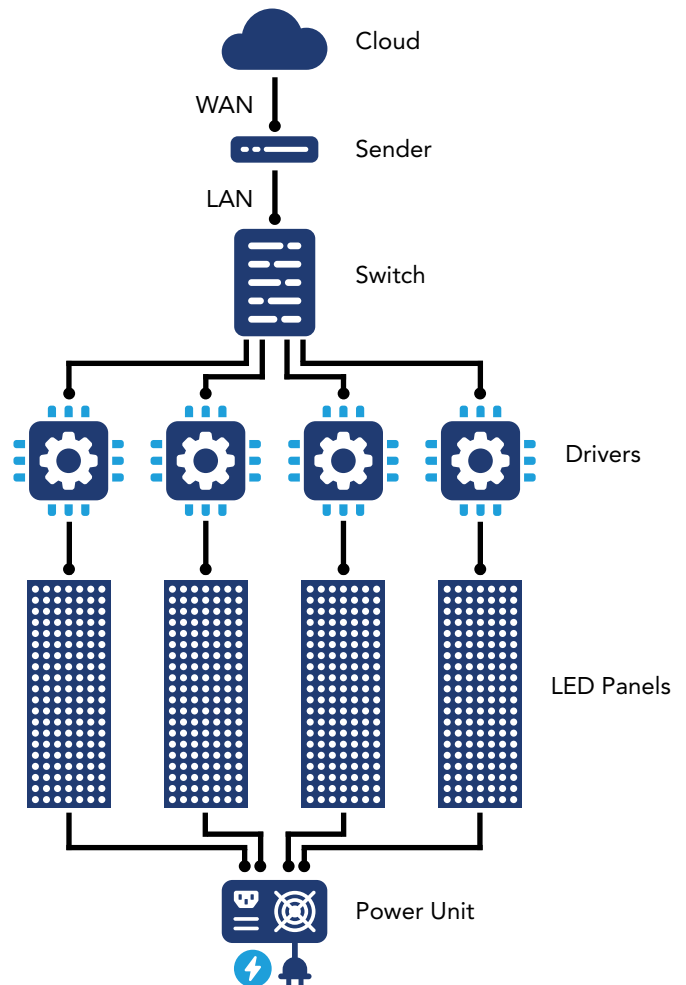
Display Board Display Module

## TECHNICAL OVERVIEW

The following image depicts the structure and short lists all the main components of the Dasher Board Display Product.

### The main components and the function:

1. Display – LED Panels forming a matrix
2. System Interface Cloud - Playlist and Display Management SW
3. Sender – Rackmount PC for streaming the content
4. Switch Drivers - controlling a Module Section
5. Power Unit – Feeding power to panels



## SENDER

A separate unit takes care of the management of the Display System. The Sender unit has interfaces for onsite video streaming from the arena AV system. The unit passes the transcoded video stream down to the Drivers.

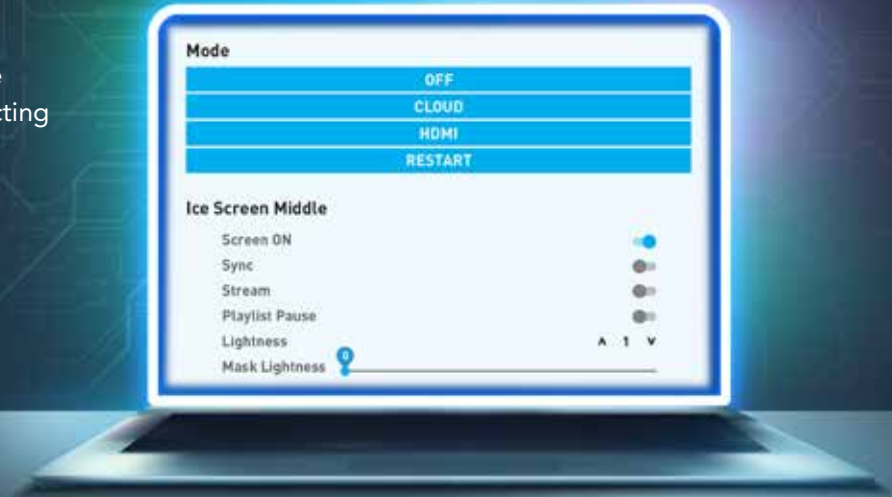
## DRIVERS & POWER

The Drivers for each Rink Screen panel are placed at the back of the module. The Power Harness is connecting the Power Unit to the panels.



# SYSTEM INTERFACE - REMOTE CONNECTION

The Display system is fully controlled and managed remotely. Switching on and off the display, controlling the brightness, and selecting the playlist is done via a website.



## SYSTEM SPECIFICATIONS



### DISPLAY PROPERTIES

Screen Size	10 ft. x 30 in. up to full perimeter
Module Size	9.68 in. x 29.5 in.
Thickness (screen)	.275 in.
Pixel Pitch	P6, P8, & P10 options available
LED Configuration	RGB, 24-bit
Luminance	6500 NITS
Best Viewing Distance	32 - 328 ft.
Operating Temperature	-20° ~ +70°C
Support	Videos / Images

Minimum Front PC Thickness	.350 in.
Guarantee	2 Years



**DIGITALIZE  
YOUR  
BOARDS**



**LiveLED**  
**CRYSTAPLEX®**

WATERLOO • MINNEAPOLIS • VANCOUVER

© 2025 Athletica Sport Systems Inc. R0227 Printed in Canada.



**BORDER PATROL**

 **CRYSTAPLEX**

**PRO Series™**

**BAP Series™**

**CAS Series™**

**GAMEPLEX**

**INFINITY Series™**

Minneapolis 763.249.7465   Shakopee 952.890.2690   Vancouver 604.461.5208   Waterloo 519.747.1856   [athletica.com](http://athletica.com)