

Steel Slotted Acrylic Cart

Athletica O&M manual

Thank you for purchasing the Steel Slotted Acrylic Cart

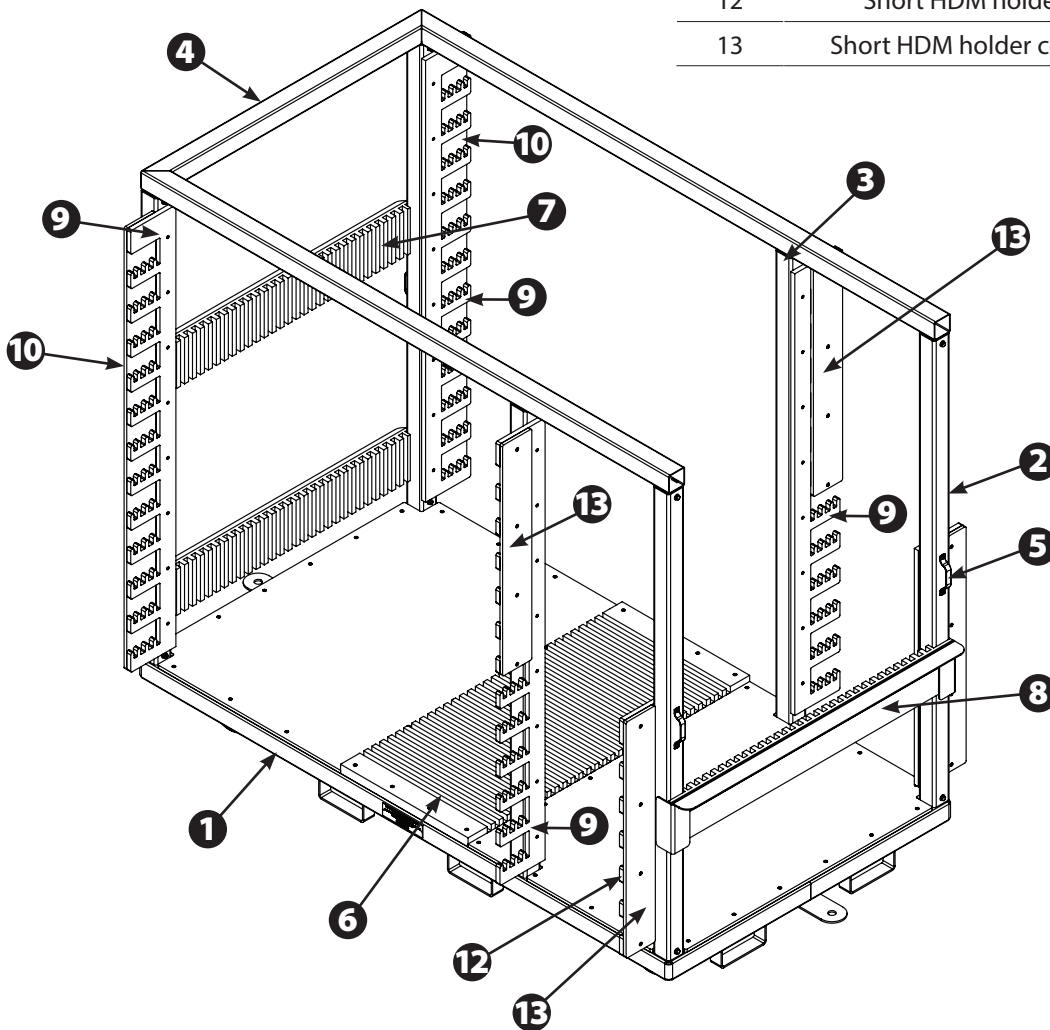
For your safety, please ensure you read these instructions carefully before using. Keep these instructions attached to the cart at all times for reference.

This manual details operation of the Steel Slotted Acrylic Cart.

Note: This cart is designed for 99" high / wide acrylic. We recommend that any other sizes be stored on an A-Frame cart.

Component List

Item	Description	Quantity
1	Cart base	1
2	Cart corner uprights	4
3	Mid support post	2
4	Top frame	1
5	Pull handle	4
6	Base acrylic spacer	1
7	End acrylic spacer	2
8	Removable acrylic spacer	1
9	Tall HDM holder	4
10	Tall HDM holder cover	2
11	Upper HDM holder cover	2
12	Short HDM holder	2
13	Short HDM holder cover	2



Note: Removable acrylic spacer needs to be removed to place acrylic shielding on cart, and replaced once shielding is loaded.

Engineer Stamped Drawing

Upon request, an engineer stamped drawing will be provided to you which describes the dimensions of the Cart and identifies its Safe Working Load Rating.

Name Plate

Please refer to the name plate attached to the cart, which states the Safe Working Load Rating for this cart, as well as the website address and telephone number of Athletica Sport Systems. Please contact us with any questions regarding this product. You can reach us at 519.747.1856 from 8:00 a.m. - 5:00 p.m. Eastern Time, Monday through Friday.

What is the “Safe Working Load Rating”?

The Safe Working Load Rating is the maximum weight that can be loaded onto one (1) Cart (the maximum weight includes the weight of the Cart itself is approx. 6,000lb). It is extremely important that the load placed on any Steel Slotted Acrylic cart does not exceed the applicable Safe Working Load Rating. Overloading can lead to failure of the Cart, potentially causing damage to the item(s) loaded on it and possible severe personal injury or death. Charts provided on the next page outline the typical weights of various types of acrylic shielding panels as well as the maximum number of pieces that can be placed on one (1) Cart. These carts are designed to also be stacked on top of each other to a maximum of two (2) high.

If you are unsure about the safe working load rating for the Steel Slotted Acrylic cart you have purchased, please contact us at 519.747.1856.

Safe Operation and Use of this Steel Slotted Acrylic Cart

1. When lifting materials on and off of the Steel Slotted Acrylic cart use proper lifting techniques to avoid personal injury.
2. Ensure work area is clean and well lighted while loading and unloading the Steel Slotted Acrylic cart.
3. It is important that the Steel Slotted Acrylic cart is positioned on a level floor that is clear and dry and free of debris. If the Steel Slotted Acrylic cart is not positioned on a level floor, loads placed upon or removed from it could fall, potentially

causing damage to the item(s) loaded on it, and possible severe personal injury or death.

4. It is extremely important that the load placed on any Steel Slotted Acrylic cart does not exceed the applicable Safe Working Load Rating stated on the tag. Overloading can lead to failure of the Cart, potentially causing damage to the item(s) loaded on it, and possible severe personal injury or death.
5. When moving the cart, be sure to stand clear of the sides of the cart. During movement, loads can become unstable and shift, potentially causing damage to the item(s) loaded on it, and possible severe personal injury or death. Always move the cart by either pushing or pulling from the end of the cart. A tongue is provided at one end of the cart to allow the cart to be pulled by a vehicle. Please ensure that when being pulled by a vehicle that the cart is securely attached to the vehicle using properly rated towing straps and associated attachments.
6. Regularly inspect ALL connection bolts to ensure that they remain tight. Tighten any loose bolts if found during inspection.

Slotted Steel Acrylic Load Chart
(44 1/16" x 99" & 75" x 100" Acrylic Panels)

Material	Maximum # of pieces on one cart
69" Crystaplex® HDM/LED HDM Sleeves	36
93" Crystaplex® HDM/LED HDM Sleeves	36
Crystaplex® 590 Acrylic	31

Warranty

This Athletica Sport Steel Slotted Acrylic cart is warranted to be free of defects in materials and workmanship for a period of 1 year from the date of purchase. Please contact Athletica Sport Systems with any questions about the performance of this product.

Contact Us

Canada and International

554 Parkside Drive. Waterloo ON Canada N2L 5Z4
519-747-1856

USA

720 Innovation Drive. Shakopee MN USA 55379
763-249-7465





554 Parkside Drive, Waterloo, Ontario, Canada N2L 5Z4 TEL 519-747-1856
720 Innovation Drive, Shakopee, Minnesota, USA 55379 TEL 763-249-7465

athletica.com

